

LARGE DIGITAL INDUSTRIAL TEMPERATURE DISPLAYS

Our Large Digital LED Temperature Displays are probably the most comprehensive range on the market covering Industrial and Commercial applications from $-200\sim 1600^{\circ}\text{C}$ / $-328\sim 2912^{\circ}\text{F}$. Thermocouple and PT100 (RTD) inputs. Panel, Wall or Suspension mounting. Alarm and re-transmission outputs. 2,3, 4 digit scale ranges and digit heights from 2.3"~18". Indoor or Outdoor.



| INPUTS | TEMPERATURE RANGES | DIGIT HEIGHTS |
|--|---|--|
| <ul style="list-style-type: none"> • Thermocouple Input types J, K, R, S, T • PT100/RTD Inputs 2 or 3 wire | <ul style="list-style-type: none"> • $-199^{\circ}\text{C} \sim 1600^{\circ}\text{C}$ • $-326^{\circ}\text{F} \sim 2912^{\circ}\text{F}$ • $-50.0 \sim 19.9^{\circ}\text{C} / -58 \sim 212^{\circ}\text{F}$ | 2", 2.3", 4", 6", 8", 10", 12", 14", 18" |

The Industrial Range

These displays accept Industry Standard Thermocouple Inputs and 2/3 wire PT100/RTD sensors. **With a wide range of Temperature scale ranges in $^{\circ}\text{C}$ or $^{\circ}\text{F}$.**

LARGE DIGITAL TEMPERATURE DISPLAYS INDUSTRIAL RANGE

INDOOR or OUTDOOR USE



These Large Digit Industrial Displays have more features than the Commercial range, to cater for the needs of exacting industrial applications and used extensively in all industries from Clean Rooms to Foundries and Steel Plants.

A wide range of Temperature scale ranges and Input sensors, Thermocouples or PT100/RTD.

The Industrial Display range also offers the options of

1. Alarm Outputs, Hi, Lo, Hi-Lo, 3A SPCO (scalable)
2. 4~20mA or 0-10Vdc outputs
3. Serial RS-232, RS-485, MODBUS, ASCII outputs
4. IP54 / NEMA 3 or IP65 / NEMA 4X rated cases
5. Stainless Steel case IP65 / NEMA 4X
6. Hi Brightness (day light viewing) Leds for OUTDOOR applications
7. Digit heights, 3", 4", 6", 8", 12", 14", 16", 18" (16" consult sales office)
8. Double Sided or single Sided
9. Multiline
10. Wall, Panel or Suspension mounting (this method is usually for Double Sided)



SCALE RANGES – Thermocouple Input

- Thermocouple ' J ' 0-750°C / 32-1382°F
- Thermocouple ' K ' 0-1200°C / 32-2192°F
- Thermocouple ' R ' 400-1600°C / 752-2912°F
- Thermocouple ' S ' **same as ' R '**
- Thermocouple ' T ' 0-400°C / 32-752°F

SCALE RANGES – PT100/RTD input

- -199~200°C / -326~392°F
- -19.9~99.9°C / -3.82~211.8°F

DIGIT HEIGHTS AND VIEWING DISTANCES FOR INDUSTRIAL LARGE DIGIT TEMPERATURE DISPLAYS

NOTE : The viewing distances shown below are fair ' estimates ' based on the LED manufacturers recommendations for ' readability ', this means **clear reading** over the distances shown. **They are not however ' absolute ', if there is any doubt chose the next size up or down.**

DIGIT HEIGHTS

VIEWING DISTANCES

| Actual | Guide Only |
|--------------|-----------------------|
| 2.3" (58mm) | 15 meters / 50 feet |
| 4" (102mm) | 35 meters / 115 feet |
| 6" (150mm) | 55 meters / 180 feet |
| 8" (203mm) | 75 meters / 246 feet |
| 12" (305mm) | 115 meters / 377 feet |
| 14" (355mm) | 135 meters / 442 feet |
| 16" (400mm) | 155 meters / 508 feet |
| 18" (457 mm) | 170 metres / 557 feet |

DISPLAY FORMAT CHOICES

- Single Sided
- Double Sided

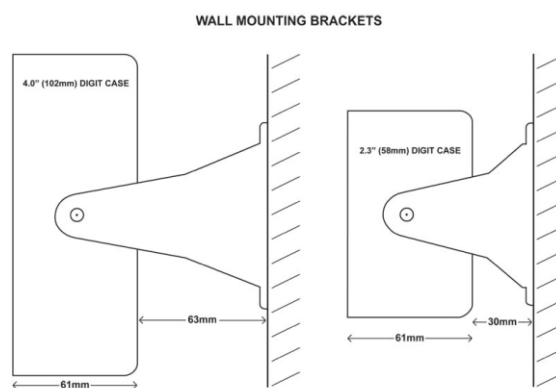
- Dual Line
- Multi Line (**more than two lines**)

MOUNTING OPTIONS FOR INDUSTRIAL LARGE DIGIT TEMPERATURE DISPLAYS

WALL MOUNTING * 2.3" and 4.0" MODELS

Whether the display is to be mounted Indoors or Outdoors, they can be directly mounted to a WALL. **Depending on the Size and number of digits in the display, side brackets are supplied or if the display is deemed to be too heavy for side brackets, we supply ' L ' shaped brackets for mounting the display directly to the wall.**

If the display has side brackets these can be adjusted within the brackets to ' TILT ' the display downwards if it is mounted relatively high up. **No WALL fixings are supplied for any brackets.**

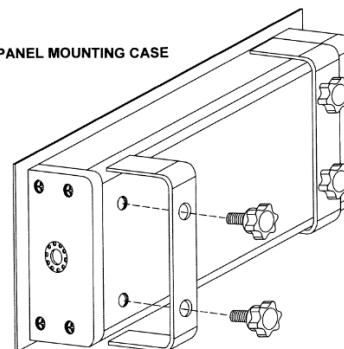


PANEL MOUNTING * 2.3", 4.0", 6.0" MODELS

This method of mounting is used when the display needs to be FLUSH FITTED into a Control, Panel Face. It therefore does not protrude like the WALL mounting display does. The case has a neat FLANGE around its perimeter to finish it off. Panel lock up brackets are supplied for this installation.



2.3" and 4.0" PANEL MOUNTING CASE



SUSPENSION MOUNTING

This method is used where displays need to be above head height so what is being displayed can be seen by the people working in an area who need to see it. All sizes of digits can be used for suspension mounting although normally this method is used with larger digits from 6" (150mm) upwards and again usually when the display is DOUBLE SIDED, although single sided displays can still be used.

Normally the display using this method will be HUNG from an overhead beam and suspended via CHAINS or a suitable secure method to a height best suited to the application. **No suspensions chains or similar hanging hardware is supplied for this.**



OUTPUTS FOR INDUSTRIAL LARGE DIGIT TEMPERATURE DISPLAYS

RE-TRANSMISSION OUTPUT

All these Large Digit LED Displays, offer RETRANSMISSION of the information being displayed to a Local Indicator or a Central Control Room. This is available in 6 output forms

- 0~10Vdc
- 4~20mA
- RS-232
- RS-485
- MODBUS
- ASCII **Only one re-transmission output can be chosen per display**

ALARM OUTPUT **3A SPCO**

The alarm is rated at 3A and is a SPCO. The Alarm can operate any external device as well as SOUNDERS and BEACONS.

- LO Alarm
- HI Alarm
- HI/LO Alarm **The Alarms can be easily set by the user (scalable)**

CASES FOR INDUSTRIAL LARGE DIGITAL TEMPERATURE DISPLAYS

IP and NEMA CASE RATINGS

IP54 / NEMA 3

Used for most INDOOR applications, protection against ingress of Dust, Light Water Spray, Oil and general grime



IP54 Standard Aluminium Case

IP65 / NEMA 4

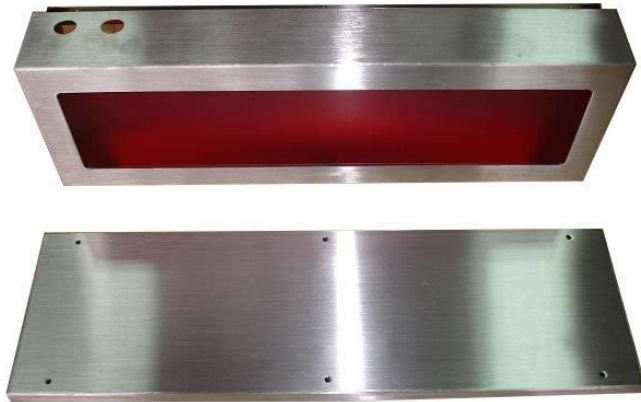
Used for all OUTDOOR applications, fully weather proof and can also be used in INDOOR applications where the environment is particularly harsh and corrosive.



IP65 Black Painted Case

IP65 Stainless Steel

316 Grade, used extensively in the Food Processing Industry and in applications where exposure to SALT (Sea Air) is prevalent such as DOCK SIDE, SEA PORTS etc.



Stainless Steel Case

COLOURS FOR INDUSTRIAL LARGE DIGIT TEMPERATURE DISPLAYS

LEDS COLOURS

(DOT LEDES are used, for DAYLIGHT VIEWING)

These Large Digital Temperature Displays can be supplied in different colours.

RED **Standard on all displays**

7 segment type 2.3", 4", 7"

DOT Led type 2.3", 4", 6", 8", 12", 14", 18"

GREEN **7 segment type** 2.3", 4"

DOT Led type 2.3", 4", 6", 8", 12", 14", 18"

AMBER **7 segment type** 2.3", 4"

DOT Led type 2.3", 4", 6", 8", 12", 14", 18"

BLUE **7 segment type** 2.3", 4" ONLY

POWER SUPPLY OPTIONS

- 95~265Vac (Standard)
- 24Vdc (Price Adder)
- 12Vdc (Price Adder for Thermocouple Inputs, not PT100/RTD)

TEMPERATURE AND HUMIDITY LARGE DIGITAL DISPLAYS

In addition to MULTILINE Temperature Displays, one of our most popular displays has become the DUAL LINE Temperature and Humidity digital display. As standard they are supplied with a 4~20mA dual input circuit with a built-in dual sensor. **NO OTHER CONNECTIONS ARE REQUIRED, other than a power supply.**



Temperature and Humidity
Display 6 inches



Humidity and
Temperature sensor



Temperature and Humidity Display
12 inch

HERE IS OUR FULL RANGE OF LARGE DIGITAL LED DISPLAYS

A to D (Analogue to Digital) Displays

Our LED Digital A to D Displays accept all standard industrial input signals Voltage and Current and all are scalable.

These LED displays will display any engineering units with decimal point position programmable.

Counters and Rate Displays

Our LED Digital Counters will accept standard input signals, contact closure, 24Vdc, NPN, PNP, Quadrature.

UP or DOWN, BATCH or TOTALISING count, single line or multiline.

Industrial Temperature Displays

These displays accept Industry Standard Thermocouple Inputs and 2/3 wire PT100/RTD sensors. With a wide range of Temperature scale ranges in °C or °F.

Temperature and Humidity Displays

These Large Digital LED Displays combine Temperature and Humidity on two separate displays in a single case with an integral 4~20mA dual input sensor or a dual 0-10Vdc input signal.

Clock and Temperature Displays

Our LED Digital Clocks set a new industry standard. Time bases Hours : Minutes : Seconds or Hours : Minutes.

The Clocks also allow the display of Date / Year and Temperature alternating.

Timers and Totalisers

All Timers have a Time base in Hours, Minutes, Seconds and combinations. Long Range Timers with Years, Weeks and Days are also available.

Typical functions are UP or DOWN timing, Totalising or Batch timing, TAKT timing, Repeat Cycle, One-Shot output.

Commercial Temperature Displays

Ideal for the Food industry, Chillers, Freezers as well as Office and work area room Temperature comfort. In-built NTC sensor. Scale ranges are limited to Low Temperature applications.

Cold Store Temperature Displays

These Large Digital LED Cold Store Temperature Displays have been specifically designed for the Refrigeration market. Suitable for Walk in Refrigerators, Freezers, Cold Stores, Cold Rooms, Chillers and Cold Cabinets.